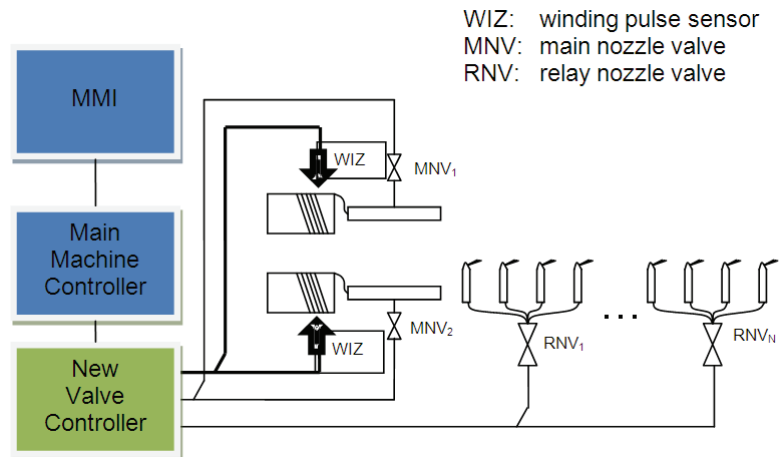
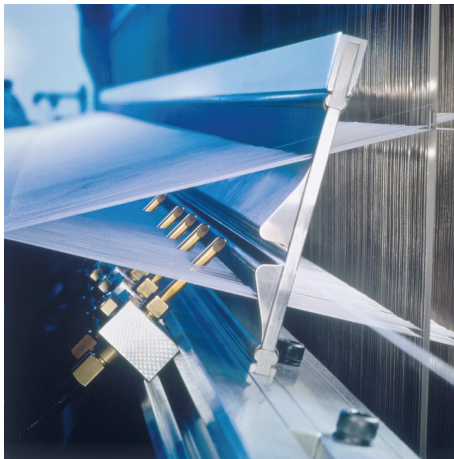


SULTEX ECOWEAVE / RTC

Optional equipment available for new A9000 & A9500 Air Jet Weaving Machines
Upgrade kit available for Mythos, Mythos E-Tec and L5500



Features / Technical Information

- **Optimized Valve Timing:** shorter blowing times for relay nozzles due to patented real time controlled valve timing.
- **Advanced Design:** new dedicated micro-controller design for high speed valve timing corrections; continuously actuated during weft insertion. Based on changing weft speed and actual weft tip position.
- **Self-Adjusting:** no more tedious setting of relay nozzle timing – most settings are adjusted automatically during auto tune procedure.
- **Failure Detection:** hardware failures (missing pulses, valve failure) are immediately detected.
- **Patent:** based on previously approved L5500 patent with improved reliability and precise weft insertion.

Your benefits

- **Cost Savings:** up to € 500 - € 2'000/year depending on weft yarn and machine width.
- **Reduced Air Consumption:** less CO² emissions and 10% - 20% less air consumption provides immediate energy cost reduction.
- **Reduced Weft Stops:** weft stops due to improper valve timing and variation in arrival time are eliminated by precise & continuous adjustment of the relay nozzles and specific control of the weft tip.
- **Ease of Use:** simplified system with few parameters allows easy integration for weavers.
- **Energy Consumption Optimized Weaving with Real Time Control.**